

Compensated High Current Choke, 1-phase



Description

- Current compensated choke
- 1-phase choke
- THT-terminals
- Flange for mounting onto printed circuit board
- Fully potted resin

Standards

- EN 60938
- IEC 60950
- EN 55011/55014
- VDE 0871/0875

Applications

- Placed in front of frequency converter
- Stepper motor drives
- UPS-systems
- Inverter

References

Weblinks

[pdf](#), [html](#), [General Product Information](#), [Approvals](#), [RoHS](#), [CHINA-RoHS](#), [e-Store](#), [SCHURTER-Stock-Check](#), [Distributor-Stock-Check](#)

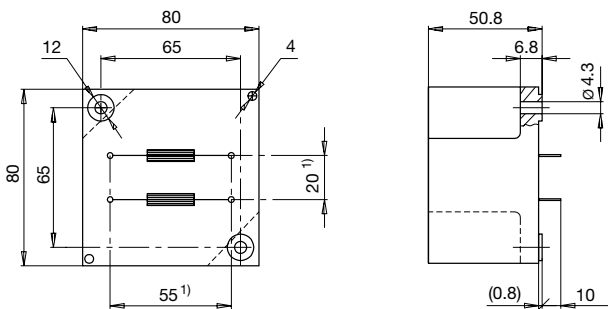
Technical Data

Rated voltage	up to 540 VAC
Rated voltage	up to 760 VDC
Rated Current	10 - 20A @ Ta 40 °C
Rated inductance	1.1 - 12 mH, Tol. -30% +50%
Power Operating Frequency	50 - 400 Hz
Terminal technic	THT
Weight	145 - 525 g
Material: Housing	UL 94V-0
Sealing Compound	UL 94V-0

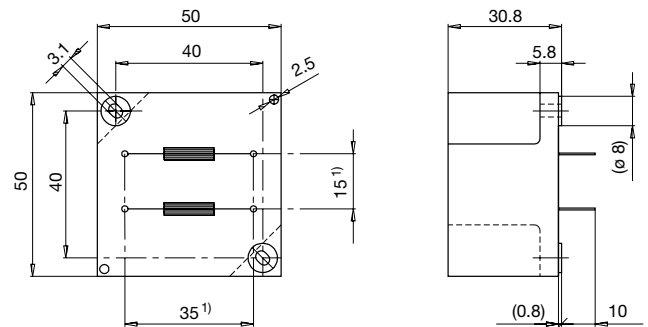
Test Voltage	2.5 kV, 50 Hz, 2 sec, winding to winding
Isolation Voltage	2.5 kV eff., 50 Hz, 2 sec, winding to ambient
Climatic Category	25/100/21 acc. to IEC 60068-1
Allowable Operation Temp.	-25 °C to 100 °C

Dimensions

Case 31-2P



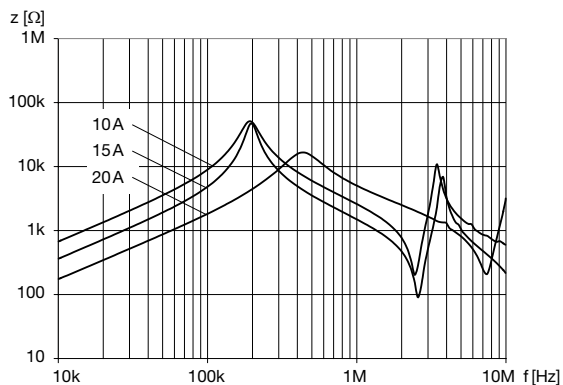
Case 46-2P



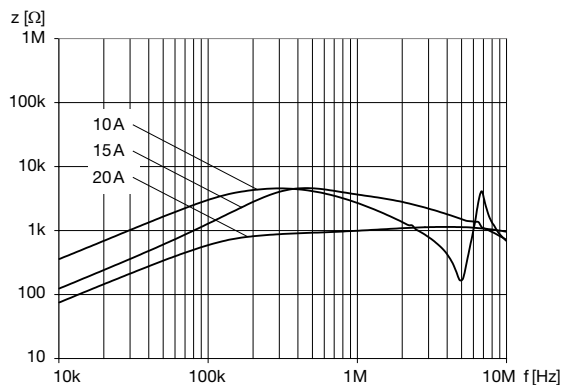
1) Spacing given at pin base

Impedance curves

DKIL-0231-xxxx



DKIL-0246-xxxx



Variants

I_n [A]	L_n [mH]	R_{Cu} [mΩ]	Tripped Power Dissipation [W]	f_{RES} [MHz]	Copper ϕ [mm]	Weight [g]	Housing	Packing unit [pcs.]	Order Number
10	12	40	8	0.15	1.25	477	31-2P	2	DKIL-0231-1012
15	5	17	7.6	0.33	1.6	525	31-2P	2	DKIL-0231-1505
20	3	10	8	0.55	1.8	506	31-2P	2	DKIL-0231-2003
10	5	18	3.6	0.35	1.25	145	46-2P	10	DKIL-0246-1005
15	2	8	3.6	0.6	1.6	145	46-2P	10	DKIL-0246-1502
20	1.1	6	4.8	2.5	1.8	145	46-2P	10	DKIL-0246-2001