

Fuseholder Open Design, 14.3 x 51 mm, Screw Clamp



500 VAC · 4 W/40 A

GAM
T1 NNO**Description**

- This product is phased-out without alternate Type. Availability upon request.
- With lock and safety calibration
- Screw or rivet fastening

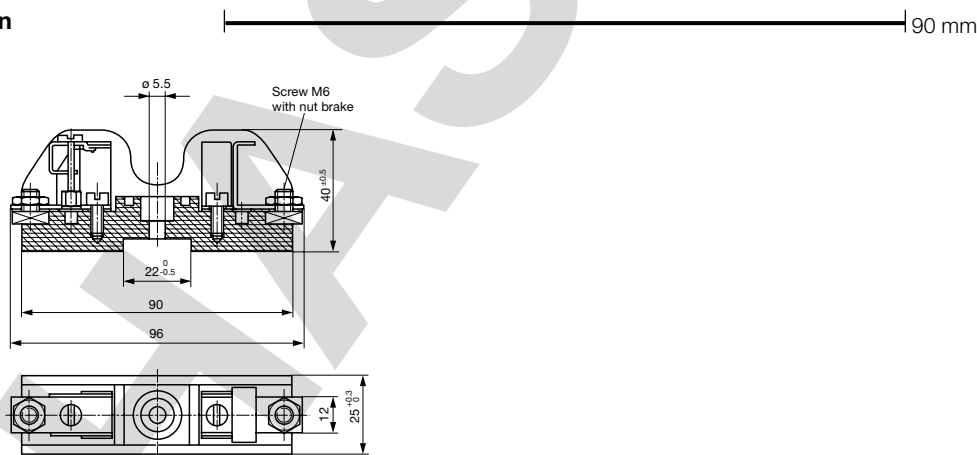
Weblinks

[pdf](#), [html](#), [General Product Information](#), [Approvals](#), [RoHS](#), [CHINA-RoHS](#), [e-Shop](#), [SCHURTER-Stock-Check](#), [Distributor-Stock-Check](#)

Technical Data

Fuse-Link	14.3 x 51 mm
Mounting	Screw
Mounting	Screw or Rivet
Terminal	Screw clamps
Rated Voltage	500 VAC
Rated Current	40 A
Rated Power Acceptance IEC	4 W / 40 A @ Ta 23 °C
Degree of Protection	IP 00
Admissible Ambient Air Temp.	-40 °C to 85 °C
Climatic Category	40/085/21 acc. to IEC 60068-1
Material: Socket	Thermoset
Unit Weight (Socket/Cap)	94 g
Storage Conditions	0 °C to 60 °C, max. 70% r.h.
Product Marking	Voltage, Current, HB8

Soldering Methods	Wave
Resistance to Vibration	acc. to NF C 20-706 / IEC 60068-2-6, test Fc
Shocks	acc. to NF C 20-706 / IEC 60068-2-27
Bumps	acc. to NF C 20-729 / IEC 60068-2-29
Salt Mist	acc. to NF C 20-711 / IEC 60068-2-11
Dump Heat	acc. to NF C 20-604
Climatic Composite	acc. to NF C 20-619 Phase D

Abmessungen**Variants**

Holder	Colour Holder	Order Number
●	black	7085.1910
●	Grey	7085.2910
●	red	7085.3910

Packaging Unit Bulk (100 pcs.)